

# Winches

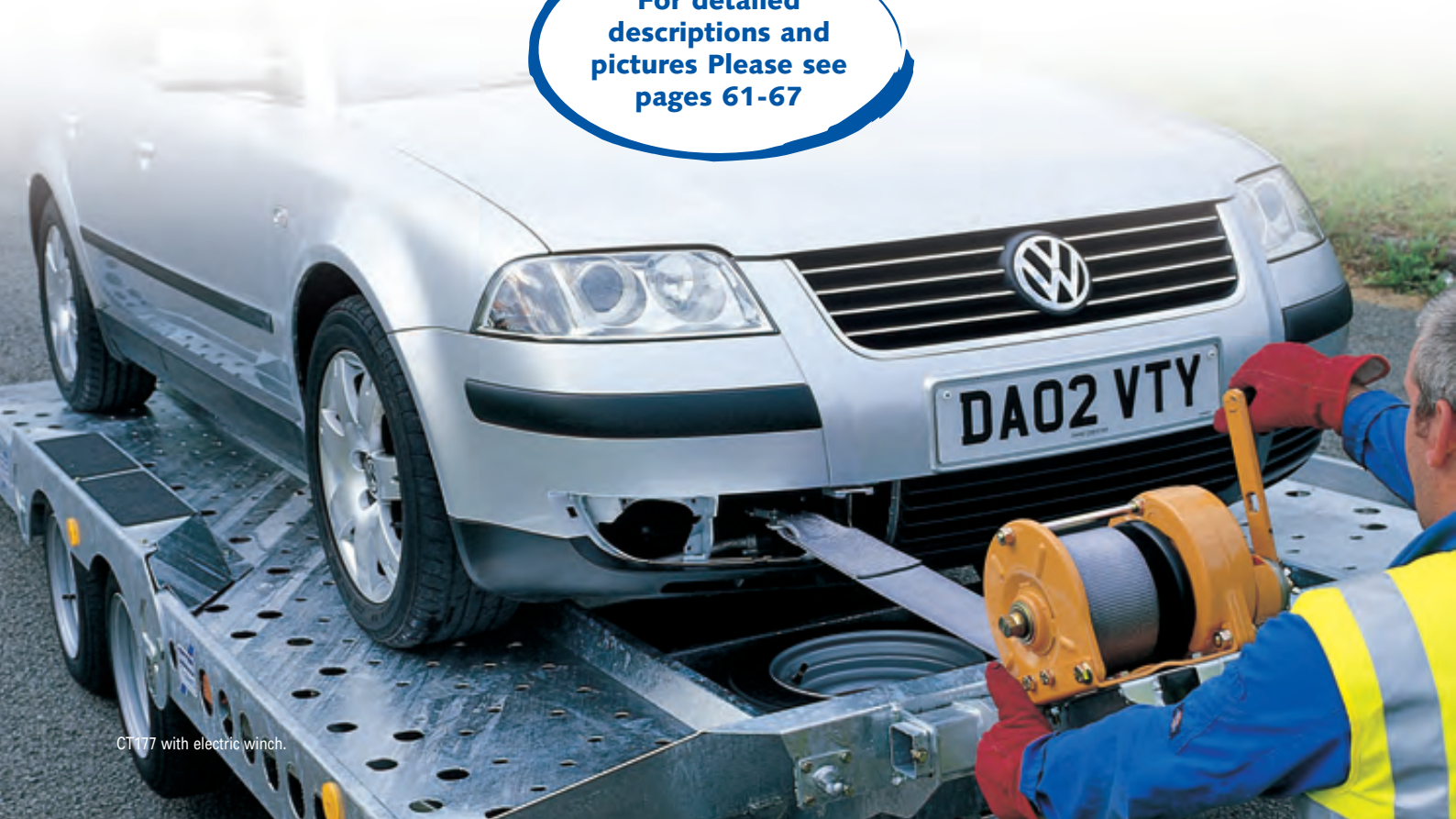
Warn 4700 Winch & Fulton automatic braked winches



Contents	Page
Winch quick reference guide	60
Rule electric winch 12 and 24v versions, winch spares and popular electrical fittings	61
Braked mechanical winches 2 & 3 tonne models	62
Spare parts for 2 tonne single speed mechanical winch (non braked model)	63
Spare parts for 3 tonne twin speed mechanical winch (non braked model)	63
Spare parts for 2 tonne single speed mechanical winch (braked model)	64
Spare parts for 3 tonne twin speed mechanical winch (braked model)	64
Maxpull GM5 Winches & Speed 3000kg braked mechanical winches	65
Warn 4700 Winch & Fulton automatic braked winches	66
Dutton Lanson Winch	67

Part Code	Description	Compatible with	Winch bracket required
P0464	Rule V60RE Electric winch Fitted with a wire rope.	LT / LM Range Tipper Range GD Major, GP	Additional bracket required, part code AS5405 Additional bracket required, part code AS5406 Additional bracket required, part code C15497
P04680B	IWT 3000kg Braked mechanical winch with wire rope.	LT / LM Range GP Range GD Range	Designed to bolt straight onto front of trailer Designed to bolt straight onto front of trailer Additional bracket required – part codes GD4 Metric (twin axle only) KX60665 GD5 Metric (twin axle only) KX60675
P04685B	IWT 2000kg Braked mechanical winch with wire rope.	LT / LM Range GP Range GD Range	Designed to bolt straight onto front of trailer Designed to bolt straight onto front of trailer Additional bracket required – part codes GD4 Metric KX6066 GD5 Metric KX6067
P0470	Maxpull GM5 Hand operated winch Fitted with a strap	CT177	Bracket fitted as standard to CT177
P04701	Maxpull GM5 Hand operated winch Fitted with a wire rope	CT177	Bracket fitted as standard to CT177
P04702	3000kg Braked mechanical winch Fitted with a webbing strap	CT177	Bracket fitted as standard to CT177
KS5551	3000kg Braked mechanical winch Fitted with a wire rope & angled bracket	CT177	Additional angled bracket supplied with the winch for mounting with the standard bracket on the CT177
P04704	Warn 4700 Braked electric winch with wire rope.	CT177	Bracket fitted as standard to CT177
P04705	Fulton 600kg 'Circuit' braked winch. Supplied with a wire rope, shackle and webbing strap.	CT136 & CT115	Sliding arm and winch post required – part code KX5528
P04706	Fulton 1050kg 'Rally' braked winch. Supplied with a wire rope, shackle and webbing strap.	CT136 & CT115, GH64, GH94, GH94+3, GH94BT & GH1054	Sliding arm and winch post required – part code KX5528 Winch and mounting bracket supplied as a kit KX35311
P04707	Fulton 1500kg 'Recovery' braked winch. Supplied with a wire rope, shackle, webbing strap and hook eye.	CT136 & CT115	Sliding arm and winch post required – part code KX5528
P0451	Dutton Lainson 1134kg Ratchet winch. Supplied with wire rope and hook eye.	LM/ LT Range GD 4, 5 Range (imperial)	Additional bracket required – part code AS4919 Additional bracket required – part code AS4925

**For detailed  
descriptions and  
pictures Please see  
pages 61-67**





The winch supplied may be sourced from an alternative manufacturer. Please phone for more details

For our Tipper and Tiltbed range of trailers we recommend that you only use an electrical winch

## 1 P0464 Rule V60RE. Electrical cable winch.

### Features

A light and compact winch fitted with an automatic brake to prevent load slippage. Sealed housing enclosing the gears so maintenance free. Circuit breakers – protect the motor and eliminate burnout from over loading. Power in – Power out. Total control of load movement. Hardened steel gears provide longer winch life.

**P0463 Rule Winch.** V60RE Electric winch 24v. Includes hand control, cables, circuit protector and fixing bolts.

## 2 P04641 Control unit. Hand control with 10' (3m approx) electrical cable for Rule electric winches.

**P04642 Solenoid.** 12v for Rule electric winches (2 fitted as standard).

**P04643 Solenoid.** 24v for Rule electric winches (2 fitted as standard).

**P04645 12v dc motor.** Including brake assembly for Rule electric winches.

**P04646 Brake spring assembly.** (6 pieces) for Rule electric winches.

**P04647 Gear housing.** Including ring gear for Rule electric winches.

**P04648 Planetary gear.** First stage planet assembly for Rule electric winches.

**P04649 Planetary gear.** Second stage planet assembly for Rule electric winches.

**P04650 Planetary gear.** Third stage planet assembly for Rule electric winches.

**P04651 Drum bearings.** Kit for Rule electric winches.

**P04652 Drum Assembly.** Complete with cable set screw for Rule electric winches (cable not included).

**P04653 Base.** Mounting base for Rule electric winches.

**P04654 Spacer kit.** The spacers that are visible across the drum on the Rule electric winches.

**P04655 Screws.** The gear housing to base screws on the Rule electric winches.

**P04656 Bolts.** For mounting the Rule electric winch to the trailer bracket.

**P04657 Free wheel.** Gear and shaft assembly for Rule electric winches.

**P04659 Bearing.** Drum bearing for Rule electric winches.

**P04660 40a Circuit breaker.** For the electrical supply to Rule electric winches.

**P04662 Wire rope.** For Rule electric winches.

**P04663 Winch cover.** For Rule electric winches.

## 3 P0670 Isolator switch. Battery isolator switch supplied with one removable key.

**4 P0670A Isolator key.** Spare key for isolator switch.

**5 P0728 Terminal.** Crimps onto 16 square mm cross sectional cable for wiring winches and other heavy duty accessories.

**6 P0733 Cable Red.** 16 square mm cross sectional area for wiring winches and other heavy duty accessories. (Per metre).

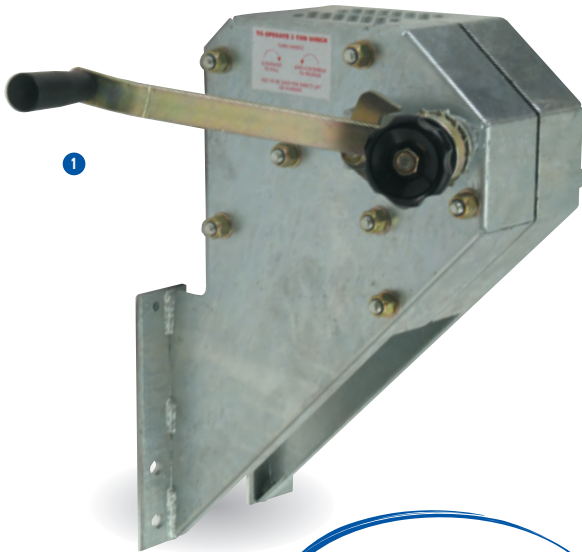
**7 P0734 Cable Black.** 16 square mm cross sectional area for wiring winches and other heavy duty accessories. (Per metre).

**8 P1127 Connector.** 2 pole electrical connector for winch or tipper motor (two required to make a plug/socket connection).

**9 AS5405 Winch bracket.** LM/CT For Rule electric winch.

**AS5406 Winch bracket.** TT105G For Rule electric winch.

**C15497 Winch Bracket.** GP Range and GD Major for Rule electric winch.



1

3000kg Rating  
Now with automatic  
braking!



2

2000kg Rating  
Now with automatic  
braking!

1 P04680B 3000kg Mechanical Winch.

2 P04685B 2000kg Mechanical Winch.

**Features**

British made winches. Specifically designed to bolt straight onto the LT, LM & GP range and onto the GD range using a separate mounting bracket kit. Automatic brake that will hold the load on the cable if the operator were to release the handle. Fitted with a 12 metre long, 8mm diameter wire rope with an eye hook. All parts are either zinc plated or galvanised offering superior corrosion resistance. All moving parts are fully guarded. Angled winding handle for smooth operation. Gears are machined from solid blanks, to ensure a long and trouble free life needing only the minimum of maintenance.

**KX6066 Winch mount kit.** Allows you to mount the 2000kg (P04685B) winch to the metric GD4 range by the use of a support bar, two diagonal braces and all fittings.

**KX60665 Winch mount kit.** Allows you to mount the 3000kg (P04680B) winch to the metric GD4 (twin axle only) by the use of a support bar, two diagonal braces and all fittings.

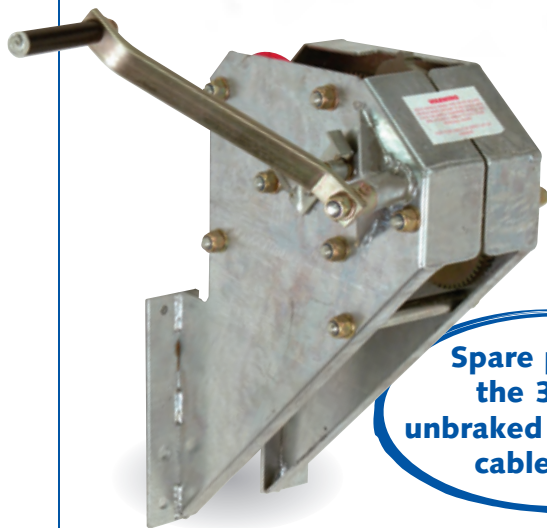
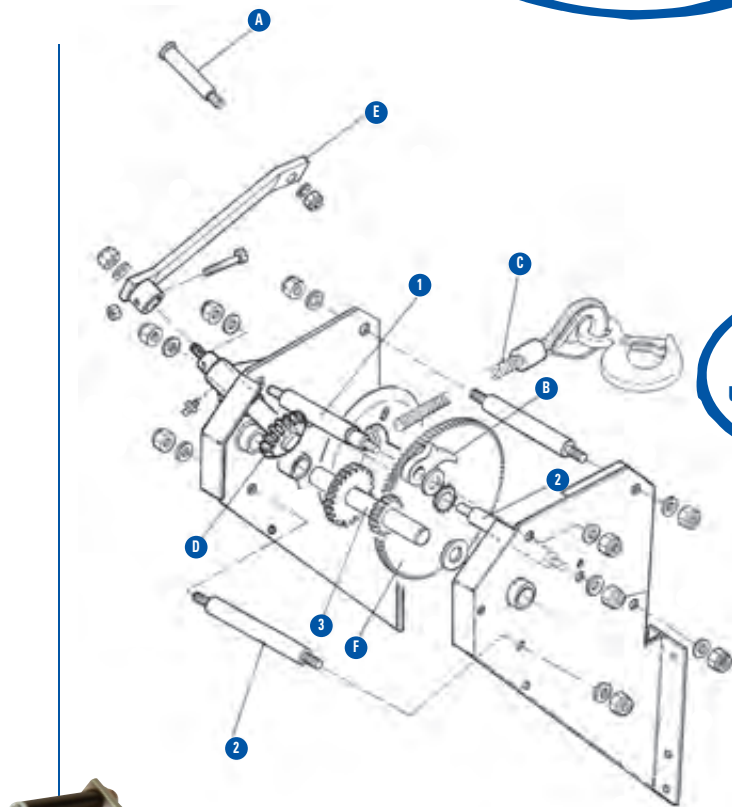
**KX6067 Winch mount kit.** Allows you to mount the 2000kg (P04685B) winch to the metric GD5 range by the use of a support bar, two diagonal braces and all fittings.

**KX60675 Winch mount kit.** Allows you to mount the 3000kg (P04680B) winch to the metric GD5 (twin axle only) by the use of a support bar, two diagonal braces and all fittings.



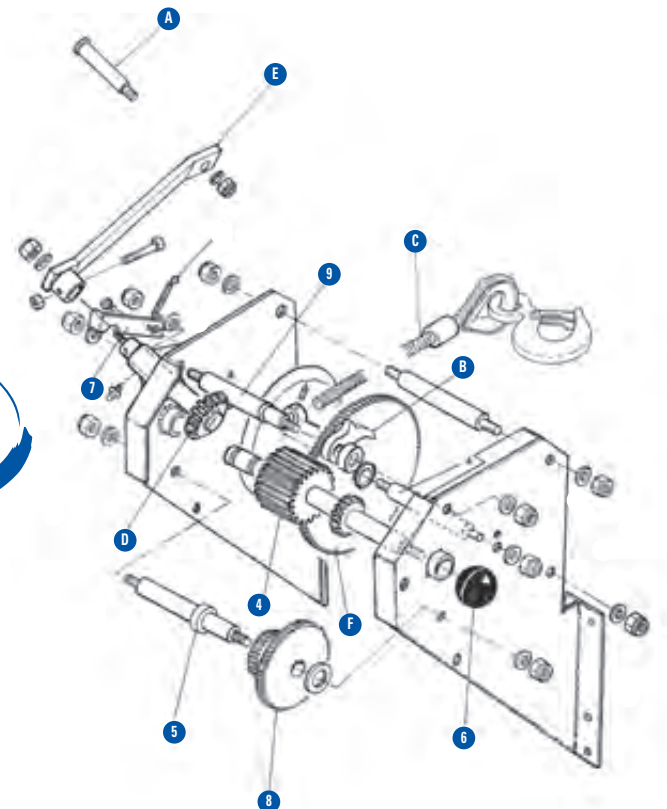
4

4 B0119 **Safety Kit.** Gloves, safety goggles, pair of dust masks, ear defenders and hooded overall. (Contents may vary from illustration)



Spare parts for the 2000kg unbraked mechanical cable winch

Spare parts for the 3000kg unbraked mechanical cable winch



### 2 TONNE PARTS

- 1 P046831 Ratchet shaft. 2 tonne mechanical winch body spacer with machined portion for ratchet.
- 2 P046830 Spacer. 2 tonne mechanical winch body spacer.
- 3 P046841 2 Tonne Idler Shaft.

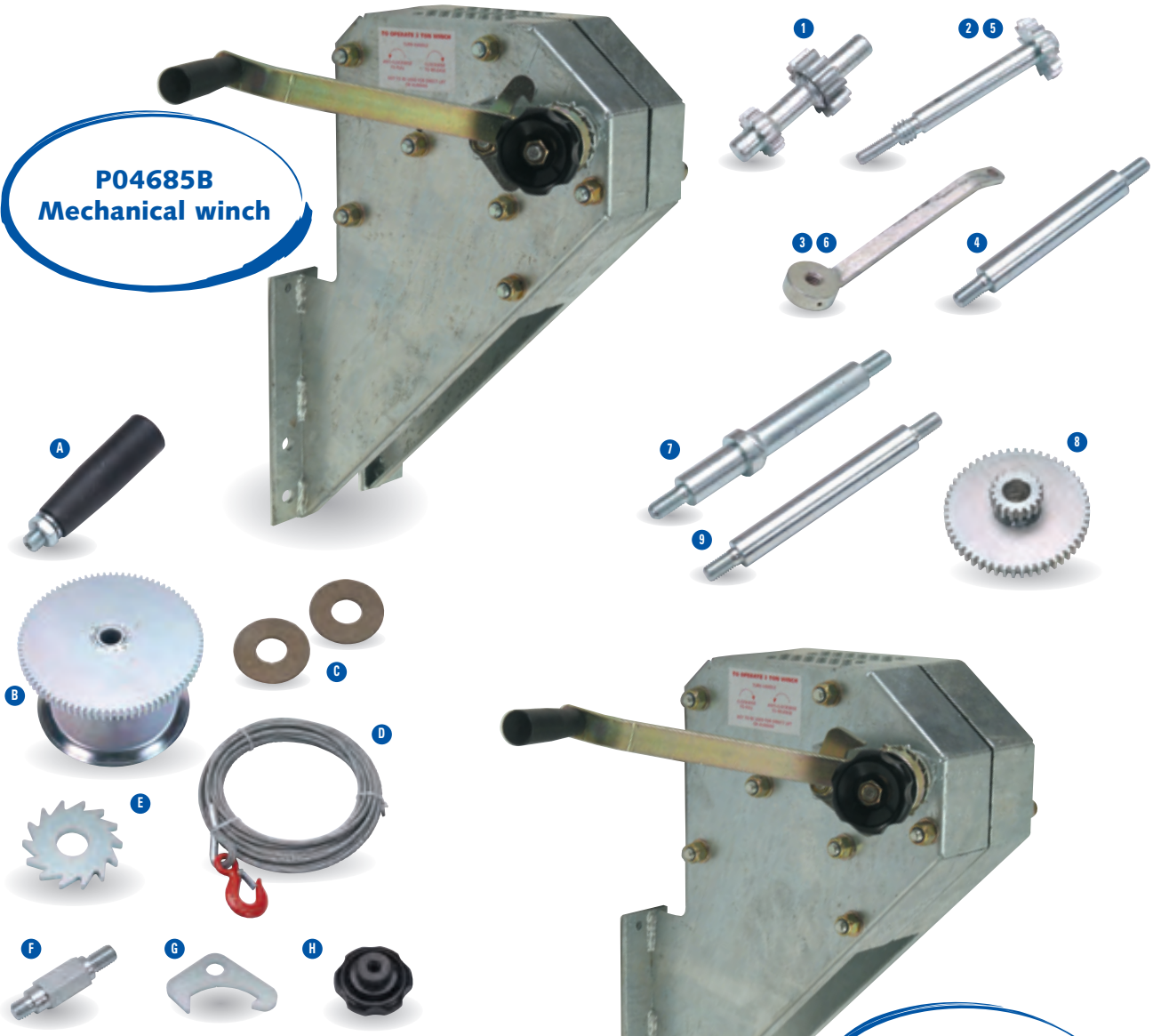
### COMMON PARTS (2 & 3 TONNE)

- A P046843 Handle Shaft.
- B P04691 Ratchet. For the 2 or 3 tonne mechanical winches (P04680/P04685).
- C P04693 Rope & Hook. For the 2 or 3 tonne mechanical winches (P04680/P04685).
- D P04692 Drive shaft. For the 2 or 3 tonne mechanical winches (P04680/P04685).
- E P04695 Handle. For the 2 or 3 tonne mechanical winches (P04680/P04685).
- F P04690 Winch drum. To suit 2 and 3 tonne mechanical winches.

### 3 TONNE PARTS

- 4 P04683 Gear change shaft. For the 3 tonne mechanical winches (P04680).
- 5 P04684 Idler shaft. For the 3 tonne mechanical winches (P04680).
- 6 P046817 Knob. 3 tonne mechanical winch M12 plastic knob.
- 7 P04682 Gear change lever.
- 8 P04681 Double gear.
- 9 P046811 Ratchet shaft. 3 tonne mechanical winch body spacer with machined portion for ratchet.

**P04685B  
Mechanical winch**



**2 TONNE PARTS**

- 1 P046834 Idler shaft.
- 2 P046835 Drive gear shaft.
- 3 P046951 Handle arm (left hand thread).
- 4 P046830 Body Shaft.

**COMMON PARTS (2 & 3 TONNE)**

- A P046843 Revolving handle.
- B P04690 Drum.
- C P046842 Brake pad.
- D P04693 Rope & Hook.
- E P046844 Ratchet Gear.
- F P046845 Ratchet Spigot.
- G P046846 Double Ratchet.
- H P046847 Plastic Knob.

**P04680B  
Mechanical winch**

**3 TONNE PARTS**

- 5 P046836 Idler shaft.
- 6 P046837 Drive gear shaft.
- 7 P046952 Handle arm (right hand thread).
- 8 P04684 Double Gear Shaft.
- 9 P04681 Double Gear.
- 9 P04688 Body Shaft.

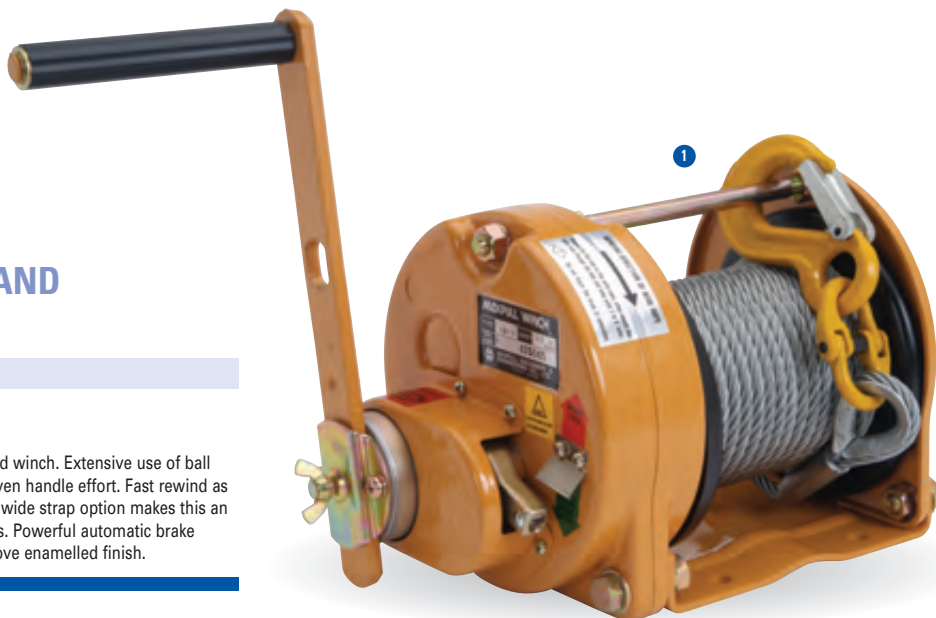
## THE MAXPULL GM5 HAND OPERATED WINCH

1 P0470 Strap winch

P04701 Cable winch

### Features

A very high specification Japanese manufactured winch. Extensive use of ball bearings delivers maximum load pull for any given handle effort. Fast rewind as well as the normal fast spool out functions. The wide strap option makes this an ideal choice for professional recovery operations. Powerful automatic brake engages immediately the handle is released. Stove enamelled finish.



## SPEED 3000KG BRAKED MECHANICAL WINCHES

2 P04702 3000kg Mechanical winch. Fitted with a webbing strap.

KS5551 Winch Kit. Includes P04703 3000kg mechanical winch, fitted with an 8mm diameter, 12m long galvanised rope with eye hook and an angled bracket to enable the winch to be bolted onto the CT177G standard bracket.

### Features

All parts either galvanised or zinc plated offering superior corrosion resistance. All moving parts fully guarded. Automatic braking system. The high build quality and materials used will ensure a long trouble free life needing only the minimum of maintenance. A gravity operated ratchet means that there is no spring to weaken or lose. Gears machined from solid blanks, to ensure long life and trouble free operation.

## Speed 3000KG Braked Mechanical winches





WARN 4700

1 P04704 Electric winch. Fitted with wire rope and hook eye.

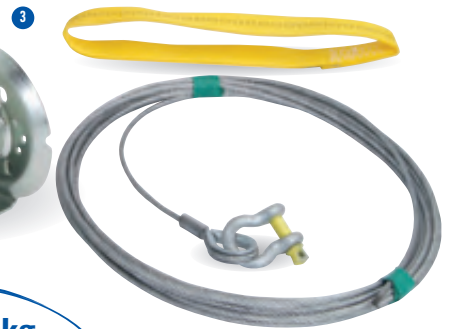
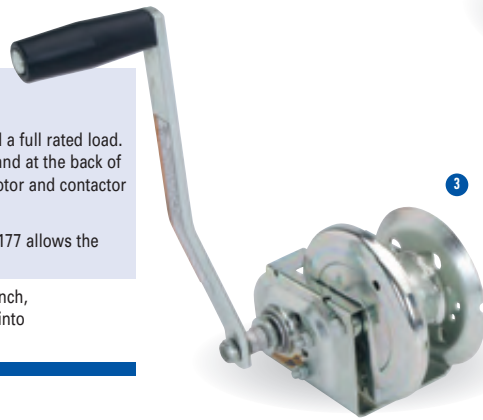
Features

The braking is a mechanical and dynamic system that will hold a full rated load. The remote control is 12 foot long, allowing the operator to stand at the back of the trailer and can be used in all weathers. The wires to the motor and contactor are well protected by a plastic housing.

The sliding winch bracket which is fitted as standard to the CT177 allows the winch to be moved from side to side.



2 KX6155 Electric Winch Kit. Includes P04704 Warn electric winch, 12v battery and mounting bracket. All incorporated into one unit to be mounted at the front of the CT177.



FULTON AUTOMATIC  
BRAKE WINCHES

3 P04705 Circuit winch. 600kg.

4 P04706 Rally winch. 1050kg.

P04707 Recovery winch. 1500kg.

Features

Self-activating automatic braked winches that hold the load securely when the crank handle is released, no minimum load line is required to activate the brake or pay out cable from the winch. Supplied with a wire rope. Drum hubs are 10 times recommended cable size to maximise cable life.

A winch mounting kit is available separately allowing the winch to be fitted in the left or right hand positions. Very easy removal allows the winch to be stowed securely when not required.

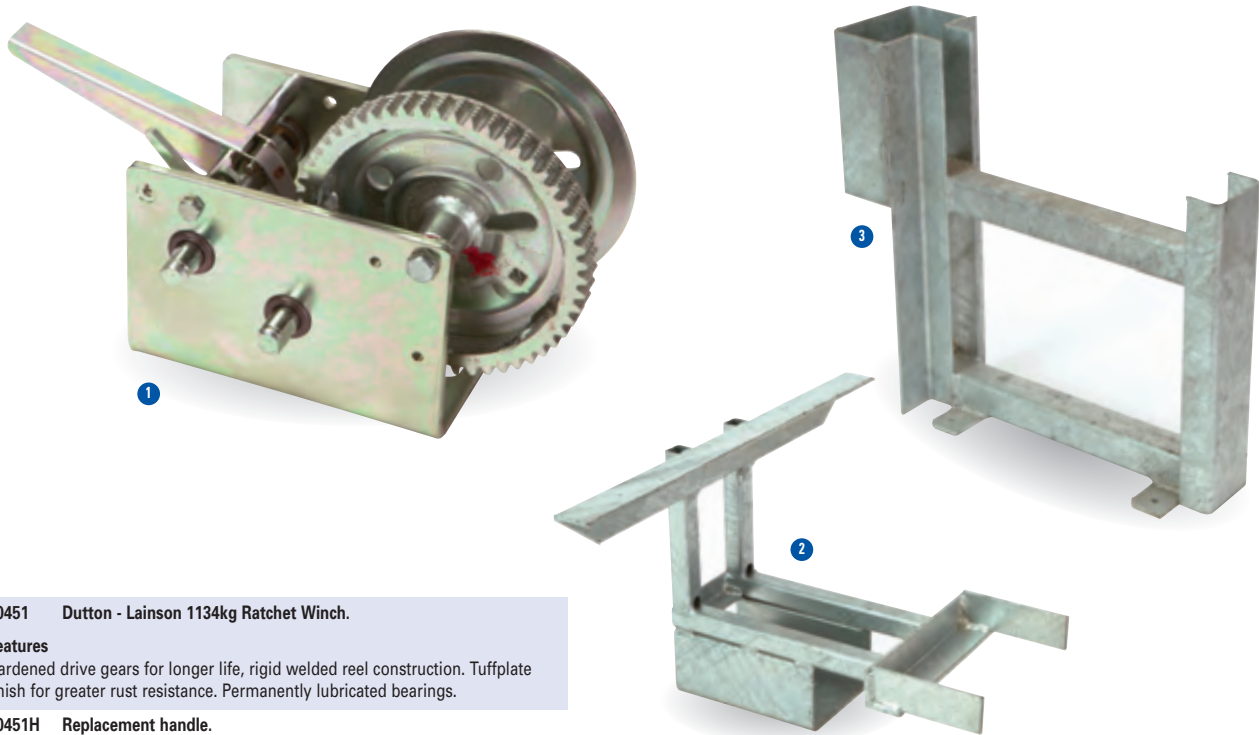
KX35311 Winch Kit. Includes P04706 1050kg winch and mounting bracket. To suit the GH range of trailers.

KX5525 Winch mounting bracket. CT115 (Winch not included).

KX5528 Winch mounting bracket. CT136, CT136HD (Winch not included).

Fulton 600kg,  
1050kg & 1500kg  
mechanical  
winches





**1 P0451 Dutton - Lainson 1134kg Ratchet Winch.**

**Features**

Hardened drive gears for longer life, rigid welded reel construction. Tuffplate finish for greater rust resistance. Permanently lubricated bearings.

**P0451H Replacement handle.**

**P0451C Replacement cable & hook. 7m long, 5mm diameter.**

**2 AS4919 Winch Bracket. Used to fit the winch to the LT/LM range of trailers.**

**3 AS4925 Winch Bracket. Used to fit the winch to the GD4 & GD5 imperial range of trailers.**

